

HS144-33BK HS288-33BK

Horizontal Splice Closure Mechanical Seal 06 Ports 144/288 Cores

Features

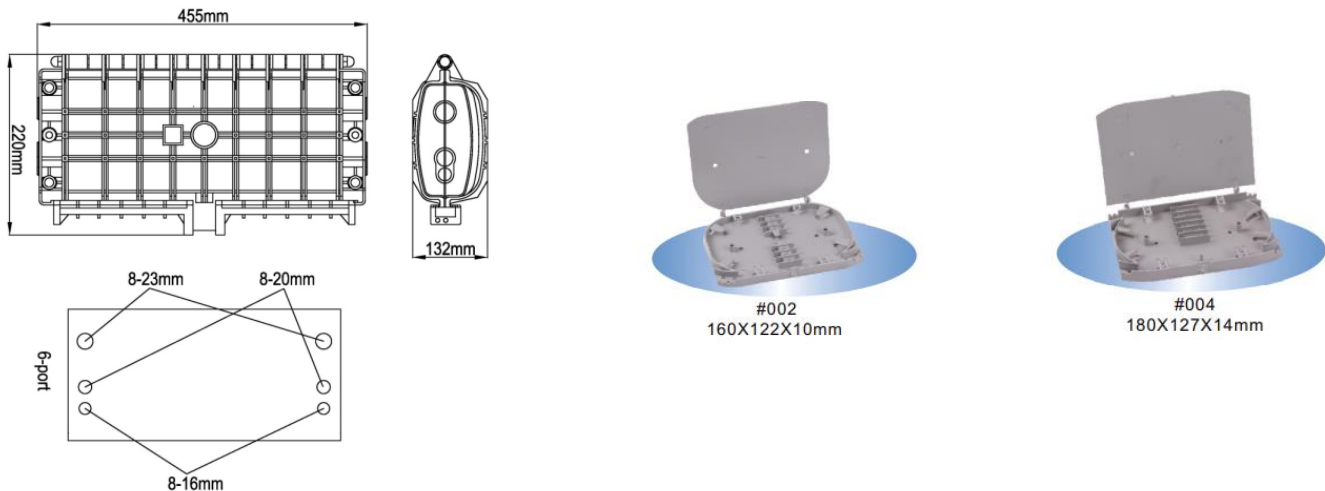
- ◆ Advanced internal structure design.
- ◆ Easy to re-enter, it never requires re-entry tool kit.
- ◆ The closure is spacious enough for winding and storing fibers.
- ◆ Fiber Optic Splice Trays (FOSTs) are design in SLIDE-IN-LOCK and its opening angle is about 90°.
- ◆ The curved diameter meets with international standard.
- ◆ Easy and fast to increase and reduce FOSTs.
- ◆ It is made of high-strength engineering plastic (PC), suit for temperature of -40-+65°C.
- ◆ Straight-through for uncutting and branching for cutting the fiber.



Application

- ◆ Suitable for bunchy fibers.
- ◆ Aerial, underground, wall-mounting, hand hole- mounting Pole-mounting and duct-mounting.

Dimension



Specification

1	Closure Capacity:	144 Cores	288 Cores
2	Cable Port:	2*round ports: 16mm/20mm/23mm	
3	Material:	PC	
4	Protection Grade:	IP68	
5	Mounting Method:	Aerial, Wall, Pole, Underground	
6	Splice Trays	6pcs (12-24f per tray)	4pcs (72f per tray)
7	Dimension(L*W*H):	455mm*220mm*132mm	
8	Operation temperature:	-40~+65 °C	

